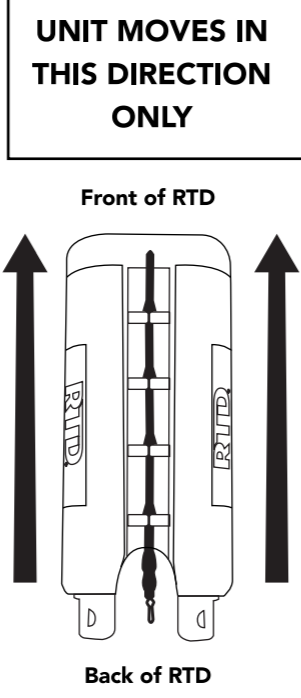
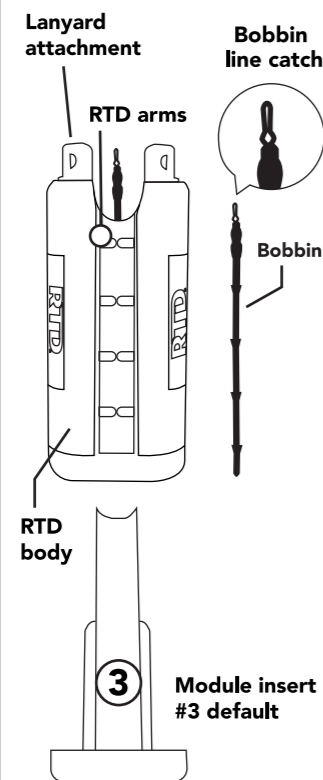




Manual

WHAT'S INSIDE

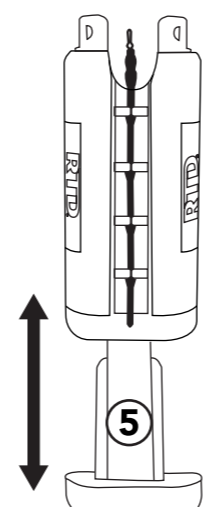


DIRECTIONS

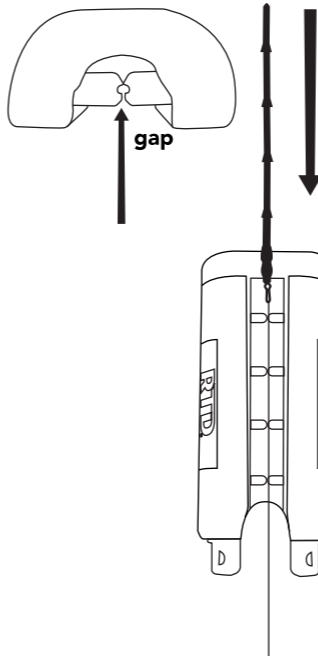
How to use the RTD

1 Use guide module already in the main body of the RTD. Size 3 is the default size already in the RTD.

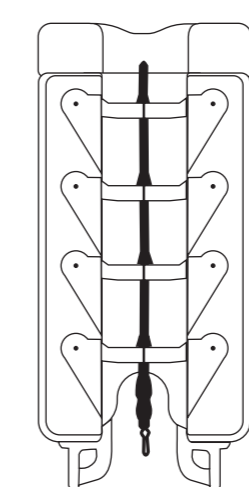
If there is not enough clearance between the module and bobbin on larger/thicker guides, install size 5 module.



2 Load the bobbin into the RTD arm gaps, line catch first in the direction shown below.

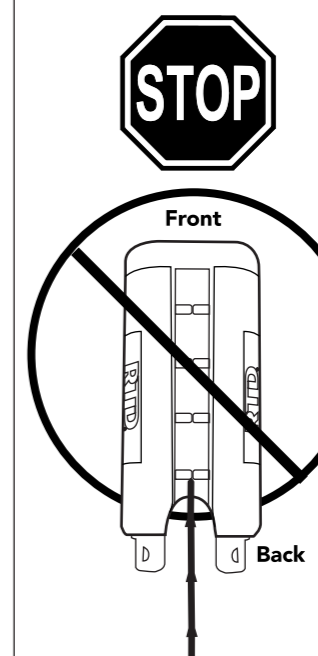


All arms should be fully closed and the flanges of the bobbin should be seated firmly against the arms when installed properly.

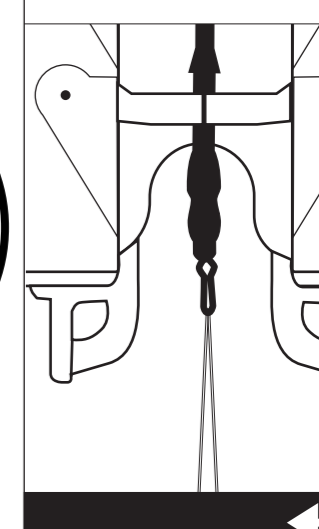


This is what a properly seated bobbin should look like.

***DO NOT LOAD THE BOBBIN FROM THE BACK OF THE RTD TO THE FRONT. DAMAGE TO THE RTD WILL OCCUR IF LOADED THE WRONG WAY.**



3 Grab both the free end and the main line together, forming a loop. Give a firm tug to pull the line snugly into the narrowing section of the line catch.



TURN OVER

You are now ready to thread your rod!

4 With the bobbin tip facing the threading direction, aim bobbin through each guide and move the RTD along the rod keeping it parallel to the rod.

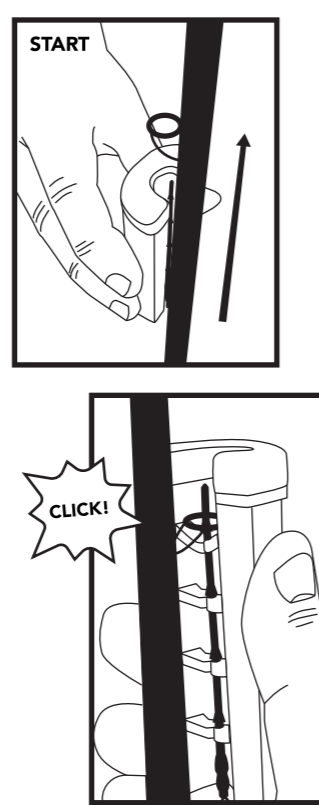
The guide module on the forward edge of the RTD will position the bobbin to enter the guides on the rod.

The rod guides will slide down the channel in the module of the RTD.

This channel keeps the rod guides positioned in the RTD until the rod guides exit the back of the RTD.

You will hear a distinct clicking sound as the guides pass through each set of arms in the RTD

NOTE: THE RTD CAN BE USED TO BRING LINE UP OR DOWN A ROD.



5 Continue this all the way along the rod until all rod guides have been threaded.

* In the event that the bobbin slips out of the RTD, simply re-insert the bobbin as described in step 2. The bobbin can be inserted into the arms of the RTD with or without line attached.

DISCLAIMER

THE RTD DOES NOT WORK ON MICRO GUIDES

** This RTD WILL NOT WORK on Micro Guides or similar small size guides, See below for parameters.

This tool will only work on guides that are 27 mm or less outside diameter and 4.5 mm and larger inside diameter.

Erupt Fishing is not responsible for misuse of the RTD that may cause damage to any rod.

READ ALL DIRECTIONS PROVIDED BEFORE USE OF THE RTD.

VIDEO ON HOW TO USE AT WWW.ERUPTFISHING.COM

SPINNING ROD DIRECTION

Spinning rods may have an oversized gathering guide or two near the reel. The line must be finger threaded through these firstly before using the RTD.

Attach the line to the RTD and thread the rest of the guides towards the tip of the rod normally.

Your rod is now threaded using the RTD!

HAPPY FISHING!

Erupt Fishing
1515 8th Ave
Fort Worth, TX 76104